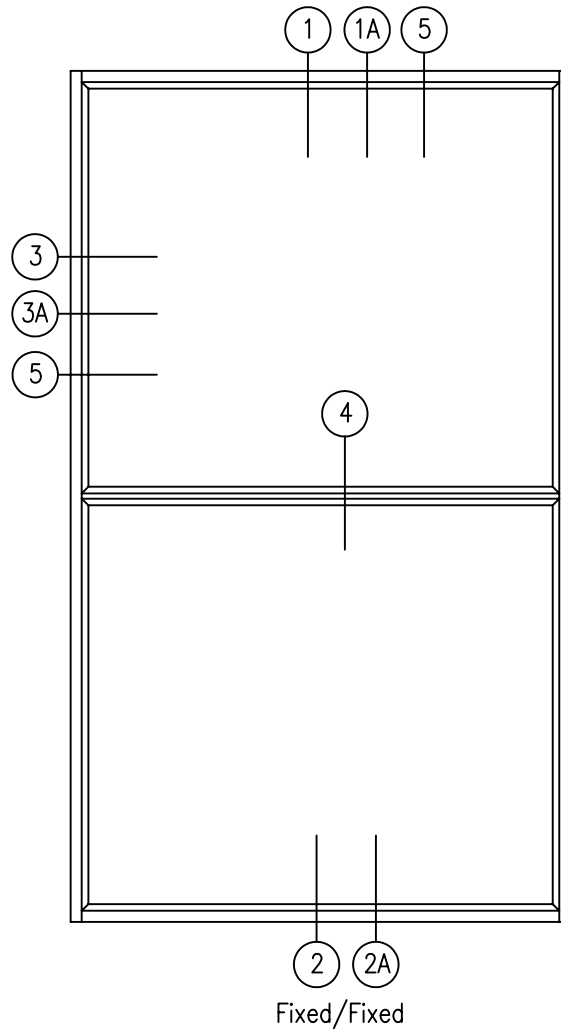
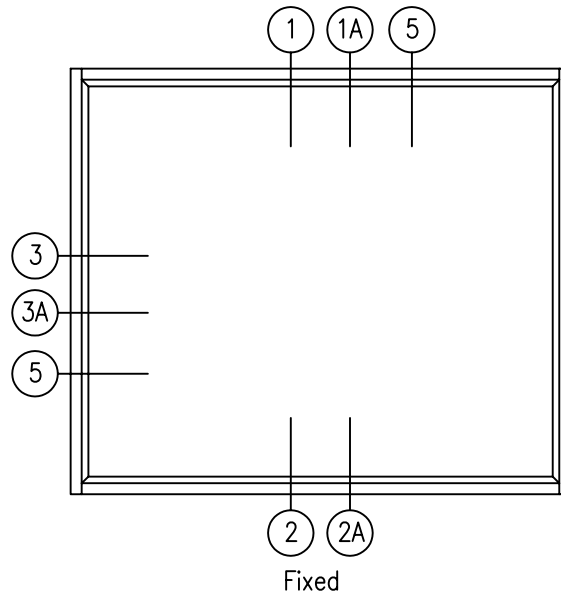
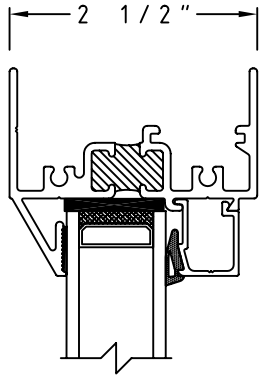


SCALE: NONE

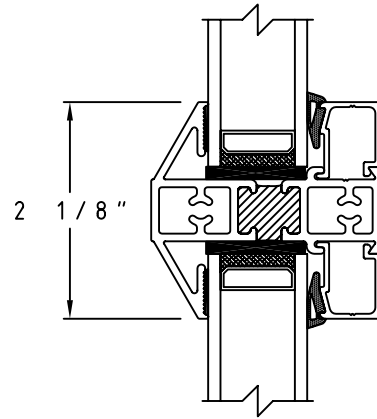


All Elevations are viewed outside looking in.

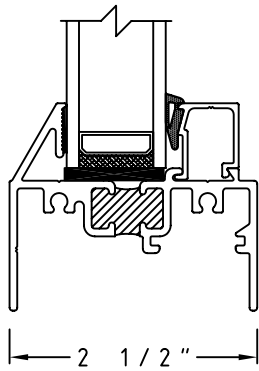
SCALE: HALF



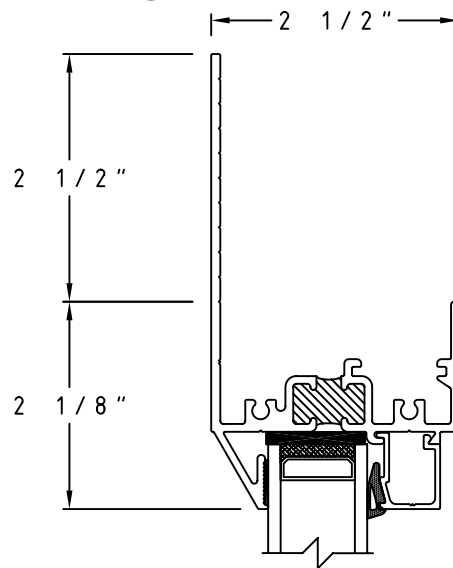
① Head Detail



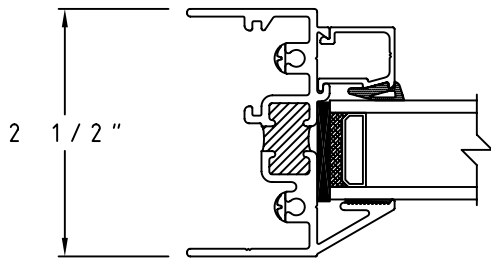
④ Horizontal True Muntin Detail



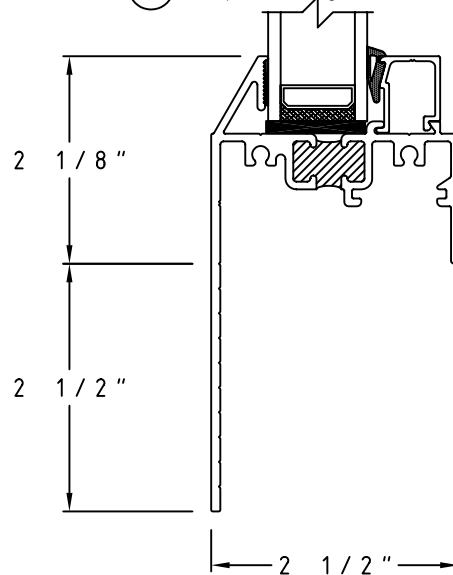
② Sill Detail



①A 2 1/2" Flange Head Detail

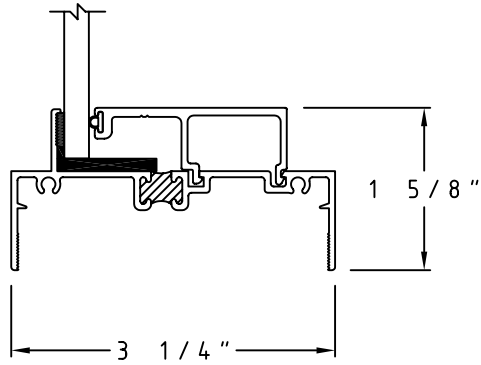


③ Jamb Detail

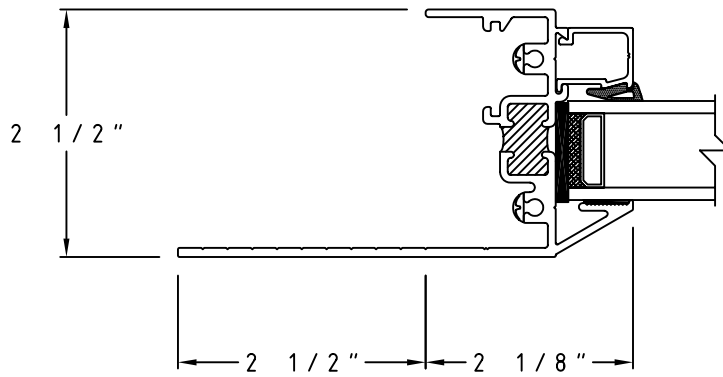


②A 2 1/2" Flange Sill Detail

SCALE: HALF



⑤ Optional 1/4" Glazing



③A 2 1/2" Flange Jamb Detail